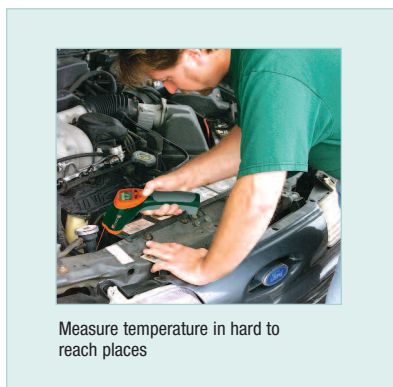
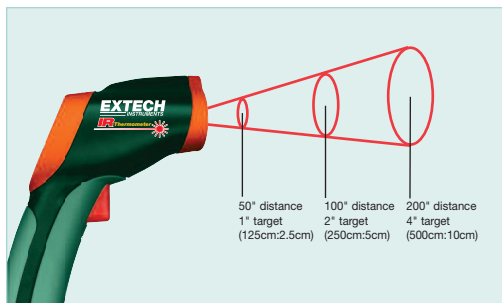


# High Temperature IR Thermometer

✓ **Measures up to 1832°F with 50 to 1 distance to target ratio**  
With laser pointer to identify target area

## Features:

- ✓ Highest 50 to 1 distance to target ratio measures smaller surface areas at greater distances
- ✓ Widest Temperature range from -58 to 1832°F (-50 to 1000°C)
- ✓ Adjustable high/low alarm alerts user visually and audibly when temperature exceeds programmed limits
- ✓ Adjustable emissivity for better accuracy on different surfaces
- ✓ MIN/MAX/AVG/DIF features display highest, lowest, average, and MAX minus MIN values
- Large backlit display for taking measurements at night or in areas with low background light levels
- High resolution of 0.1° up to 199.9°
- Automatic Data Hold
- Auto power off
- Complete with 9V battery and hard carrying case



## Specifications

Range:	-58 to 1832°F (-50 to 1000°C)
Basic Accuracy:	±2% of rdg +4°F/ 2°C
Max. Resolution:	0.1°F/°C
Emissivity:	Adjustable
Field of View (Distance to Target):	50:1
Dimensions:	3.9 x 2.2 x 9" (100 x 56 x 230mm)
Weight:	10.2oz (290g)

## Ordering Information:

- 42545.....High Temperature IR Thermometer  
42545-NIST .....42545 with Calibration Traceable to NIST.

