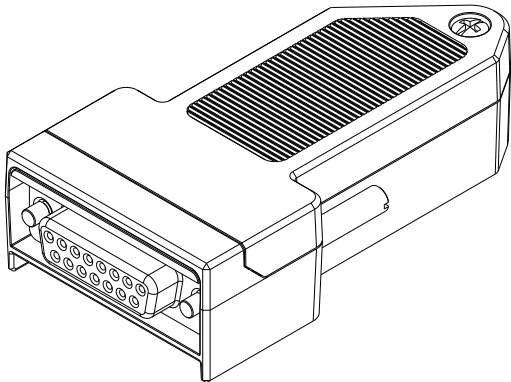


# GETTING STARTED GUIDE AND SPECIFICATIONS

## NI 9935



This document explains how to connect to the NI 9935.



**Note** Do not remove the NI 9935 circuit board from the enclosure.



**Note** Before using the NI 9935, read the getting started guide and datasheet for the C Series module on [ni.com/manuals](http://ni.com/manuals) to ensure compliance with safety, EMC, and environmental regulations.

## Safety Guidelines

---

Operate the NI 9935 only as described in this document.



**Caution** This icon denotes a caution, which advises you to consult documentation where this symbol is marked.



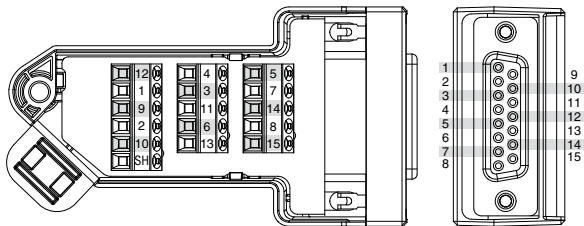
**Caution** Do not operate the NI 9935 in a manner not specified in this document. Product misuse can result in a hazard. You can compromise the safety protection built into the product if the product is damaged in any way. If the product is damaged, return it to NI for repair.



**Caution** Do not supply hazardous voltages (>42.4 V<sub>pk</sub>/60 V DC) to the NI 9935.

## NI 9935 Pinout

---



## Connecting the NI 9935

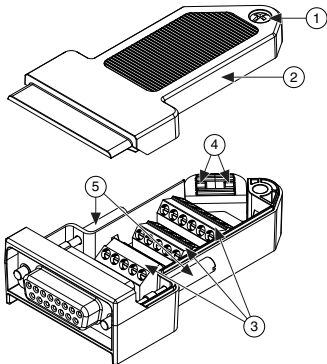
---

To wire the NI 9935, complete the following steps while referring to the following figure.



**Note** When using shielded wires or cables, use the SH terminal on the NI 9935 to terminate the shields.

**Figure 1. NI 9935 Parts**



1. Captive Screw

2. Top Cover

3. Terminals

4. Strain Relief Holes

5. Jackscrews

1. Loosen the captive screw and remove the top cover.
2. Prepare the screw-terminal wire by stripping the insulation.

Refer to the Specifications section for more information on screw terminal wiring.

3. Insert the stripped end of the wire fully into the appropriate terminal. Make sure that no exposed wire extends past the screw terminal.
4. Secure the connecting by tightening the screw for the terminal.

Refer to the Specifications section for more information on screw terminal torque.

5. Route the wire to the NI 9935 opening.
6. Remove slack in the NI 9935 wiring and secure the wires or cable by threading a zip tie through the two strain relief holes on the NI 9935 opening.
7. Reinstall the top cover of the NI 9935 and tighten the captive screw.

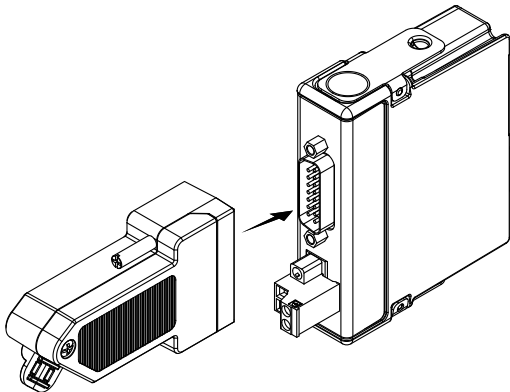
## Installing the NI 9935

---

To connect the NI 9935 to a C Series module, complete the following steps.

**Figure 2.** Installing the NI 9935

---



1. Connect the NI 9935 to the 15-pin connector on the module as shown in the figure above.
2. Tighten the two jackscrews on the NI 9935 to hold it securely in place.

Do not overtighten the jackscrews. Refer to the NI 9935 parts diagram for the location of the jackscrews.

## Specifications

---

The following specifications are typical unless otherwise noted.

Maximum voltage	30 V RMS/42 V <sub>pk</sub> /60 V DC
Operating temperature	-40 °C to 70 °C
Maximum current rating	≤1 A per channel
Screw terminal wiring	16 to 26 AWG copper conductor wire with 4.5 mm (0.18 in.) of insulation stripped from the end
Torque for screw terminal	0.4 N · m maximum (3.4 lb · in. maximum)
Weight	44 g (1.6 oz)

## Worldwide Support and Services

---

The NI website is your complete resource for technical support. At [ni.com/support](https://ni.com/support), you have access to everything from troubleshooting and application development self-help resources to email and phone assistance from NI Application Engineers.

Visit [ni.com/services](https://ni.com/services) for information about the services NI offers.

Visit [ni.com/register](https://ni.com/register) to register your NI product. Product registration facilitates technical support and ensures that you receive important information updates from NI.

A Declaration of Conformity (DoC) is our claim of compliance with the Council of the European Communities using the manufacturer's declaration of conformity. This system affords the user protection for electromagnetic compatibility (EMC) and product safety. You can obtain the DoC for your product by visiting [ni.com/certification](https://ni.com/certification). If your product supports calibration, you can obtain the calibration certificate for your product at [ni.com/calibration](https://ni.com/calibration).

NI corporate headquarters is located at 11500 North Mopac Expressway, Austin, Texas, 78759-3504. NI



also has offices located around the world. For support in the United States, create your service request at [ni.com/support](https://ni.com/support) or dial 1 866 ASK MYNI (275 6964). For support outside the United States, visit the *Worldwide Offices* section of [ni.com/niglobal](https://ni.com/niglobal) to access the branch office websites, which provide up-to-date contact information.

Information is subject to change without notice. Refer to the *NI Trademarks and Logo Guidelines* at [ni.com/trademarks](http://ni.com/trademarks) for information on NI trademarks. Other product and company names mentioned herein are trademarks or trade names of their respective companies. For patents covering NI products/technology, refer to the appropriate location: **Help»Patents** in your software, the `patents.txt` file on your media, or the *National Instruments Patent Notice* at [ni.com/patents](http://ni.com/patents). You can find information about end-user license agreements (EULAs) and third-party legal notices in the readme file for your NI product. Refer to the *Export Compliance Information* at [ni.com/legal/export-compliance](http://ni.com/legal/export-compliance) for the NI global trade compliance policy and how to obtain relevant HTS codes, ECCNs, and other import/export data. NI MAKES NO EXPRESS OR IMPLIED WARRANTIES AS TO THE ACCURACY OF THE INFORMATION CONTAINED HEREIN AND SHALL NOT BE LIABLE FOR ANY ERRORS. U.S. Government Customers: The data contained in this manual was developed at private expense and is subject to the applicable limited rights and restricted data rights as set forth in FAR 52.227-14, DFAR 252.227-7014, and DFAR 252.227-7015.

© 2017 National Instruments. All rights reserved.

377414A-01      December 5, 2017