

N6780 Series Source / Measure Units (SMU) for N6700 Modular Power System

- N6781A 2-Quadrant Source/Measure Unit for Battery Drain Analysis (20 W)
- N6782A 2-Quadrant Source/Measure Unit for Functional Test (20 W)
- N6784A 4-Quadrant General Purpose Source/Measure Unit (20 W)
- N6785A 2-Quadrant Source/Measure Unit for Battery Drain Analysis (80 W)
- N6786A 2-Quadrant Source/Measure Unit for Functional Test (80 W)



Mess- und Prüftechnik. Die Experten.

Ihr Ansprechpartner /
Your Partner:

dataTec AG
E-Mail: info@datatec.eu
>>> www.datatec.eu

 **KEYSIGHT**
Authorized Premium
Distributor

Deliver Exceptional Battery Life

For many years, the trend in the consumer electronics market has been to make an increasing number of devices integrated and portable. As a result, smartphones, “phablets,” eBook readers, tablets, and smartwatches with multiple functions and features have emerged. Over the past few years, these devices have grown in size and power consumption. Aside from functionality and features, battery life has become the single most critical factor in product differentiation and customer satisfaction.

Only Keysight’s N6780 Series SMUs let you visualize the current drain from nA to A in one pass and one picture, unlocking insights to deliver exceptional battery life.

Key features

- Exceptional sourcing: Accurately emulate a battery
 - Stable, glitch-free sourcing and sinking (charge / eLoad), just like a battery
 - Programmable output resistance mimics the battery’s internal resistance
- Exceptional measurement: Make measurements you didn’t think were possible
 - Characterize your device’s off-, sleep-, and transmit-mode current in one pass and one picture with Keysight’s exclusive, patented seamless measurement ranging technology - no need to make multiple measurement sweeps
 - Perform battery rundown tests and characterize how your device performs with an actual battery with the SMU’s ammeter (zero-burden current shunt) mode
- Exceptional Analysis: See your device’s power consumption like never before
 - Built-in digitizers measure and log voltage, current, and power every $\sim 5 \mu\text{s}$ ($\sim 200 \text{ kHz}$)
 - PW9252A software provides scope, data logger, and CCDF functionality to see and analyze short- and long-term power usage

Keysight Patented Feature: Seamless Dynamic Measurements

N6781A, N6782A, N6785A, and N6786A

Measuring static current accurately can be a challenge. Measuring dynamic currents from nA to A is an even greater challenge. Depending on the level of current, a different precision measurement resistor must be used, representing a measurement range in the power supply.

The N6781A, N6782A, N6785A, and N6786A have multiple current measurement ranges, making them tuned to measure the different operating states of a device: off-, sleep-, standby-, and transmit-mode. In addition, the top three ranges support a Keysight Technologies, Inc. exclusive feature called “seamless measurement ranging.” When you enable this feature, as the current drawn by the device under test (DUT) changes, the SMU automatically and instantaneously detects which current measurement range will return the most precise measurement and changes to that range seamlessly. When combined with the SMU’s built-in 18-bit digitizers, seamless measurement ranging enables unprecedented effective vertical resolution of ~28-bits. This provides unrivaled productivity gains and insights into power consumption never possible before. Only Keysight’s N6780 Series SMUs let you visualize the current drain from nA to A in one pass and one picture, unlocking insights to deliver exceptional battery life.

Seamless measurement autoranging is available on models N6784A SMU with the SMR option.

PW9252A PathWave Advanced Power Control and Analysis Software

The DC power analyzer software complements the front panel of the N6705 mainframe, offering advanced functionality and PC control. It is a flexible R&D tool for any application. When installed in an N6705 mainframe, it can control any of the N6700 family’s over 30 DC power modules. When used to control an N6781A or N6785A SMU, it can be used for advanced battery drain analysis applications.

Key features

- Complements the N6705 DC power analyzer’s front panel controls.
- Control and analyze data from up to four N6705 DC power analyzer mainframes and any installed modules simultaneously — up to 16 power supplies.
- Easily create complex waveforms to stimulate or load down a DUT by inputting a formula, choosing from built-in, or importing waveform data.
- Enhanced control and analysis of data with familiar PC controls and large display.

www.keysight.com/find/PW9252A

Applications

- N6781A and N6785A SMUs are tuned for battery drain analysis of all battery-powered devices from 20 W to 80 W, including e-book readers, MP3 players, wireless mice, mobile phones, large smartphone “phablets,” tablets, and military radios.
- N6782A and N6786A SMUs are tuned for functional tests of devices such as DC/DC converters, PMUs, PMICs, and power amplifiers from 20 W to 80 W.
- N6784A SMU is designed to be a versatile tool for general-purpose applications in automated test systems or on an R&D bench.
- PW9252A PathWave Advanced Power Control and Analysis complements the N6781A and N6785A SMUs when used with the N6705 DC power analyzer by adding advanced battery drain functionality, such as statistical analysis. However, it is also useful as a generic R&D power analysis tool since the software can control any of the over 30 other N6700 Series DC power modules when installed in an N6705 mainframe.

N6781A and N6785A are SMUs tuned for battery drain analysis

Unlike any other product available today, the N6781A and N6785A offer the features necessary to accurately capture the power consumption of portable, battery-powered devices from 20 W to 80 W. When used with the Keysight PW9252A software, the N6781A and N6785A become an even more powerful battery drain analysis solution, offering even further insights into your measurements. Whether the DUT is an e-book reader, MP3 player, mobile phone, “phablet,” tablet, or pacemaker, the N6781A and N6785A’s seamless measurement ranging programmable output resistance and auxiliary DVM combine to be the only solution on the market that helps you deliver exceptional battery life.

- Deliver exceptional battery life with insight into your device’s power consumption you can get nowhere else.
- Measure all modes of operation simultaneously, no need to change measurement ranges with seamless, dynamic measurements down to nA and μ V.
- More accurately emulate the performance of a battery with internal resistance of a battery using the programmable output resistance of the N6781A and N6785A.
- Perform tests with the actual battery – monitor your battery’s voltage with the built-in auxiliary voltage measurement system while using the SMU’s ammeter mode (zero-burden current shunt) to perform real-world battery rundown tests.
- Easily make sense of your measurements – scope, data logger, and complementary cumulative distribution function (CCDF) statistical analysis all help you understand what you’ve measured.

N6782A and N6786A are ideal for advanced functional test

The ability to modulate the output up to 100 kHz along with 2-quadrant operation makes the N6782A and N6786A a perfect fit for advanced functional tests of a variety of devices such as DC/DC converters, power management units, power amplifiers, and power management ICs (PMICs) from 20 W to 80 W.

- Use the advanced arbitrary waveform generation feature to stimulate the input stage of your DUT with fast sourcing and waveforms up to 100 kHz.
- The output stage can be loaded down and measured with the electronic load capabilities of the N6782A and N6786A, providing a total test solution.

N6784A SMU is an ideal general-purpose tool

General-purpose applications can span many different industries and many different devices under test. The N6784A SMU's glitch-free operation ensures safe usage with the DUT during output and measurement range changes, even with capacitances of up to 150 μ F. This enables use with a wide variety of DUTs. Its 4-quadrant operation enables it to act as a bipolar power supply or a bipolar electronic load for added versatility.

- Glitch-free operation ensures that during programmed output or measurement ranges changes, the N6784A's output voltage and current remain steady and the DUT remains damage-free.
- Four current programming ranges (3 A, 300 mA, 100 mA, and 10 mA) enable the N6784A to be a precise current source or electronic load down to μ A.

Emulation modes to enhance usability

All of the N6780 Series SMUs have user-selectable emulation modes to improve usability and productivity by instantly configuring the SMU for the most common use cases. When one of the emulation modes is selected, the SMU optimizes all of its features and settings for that particular use case.

Emulation modes

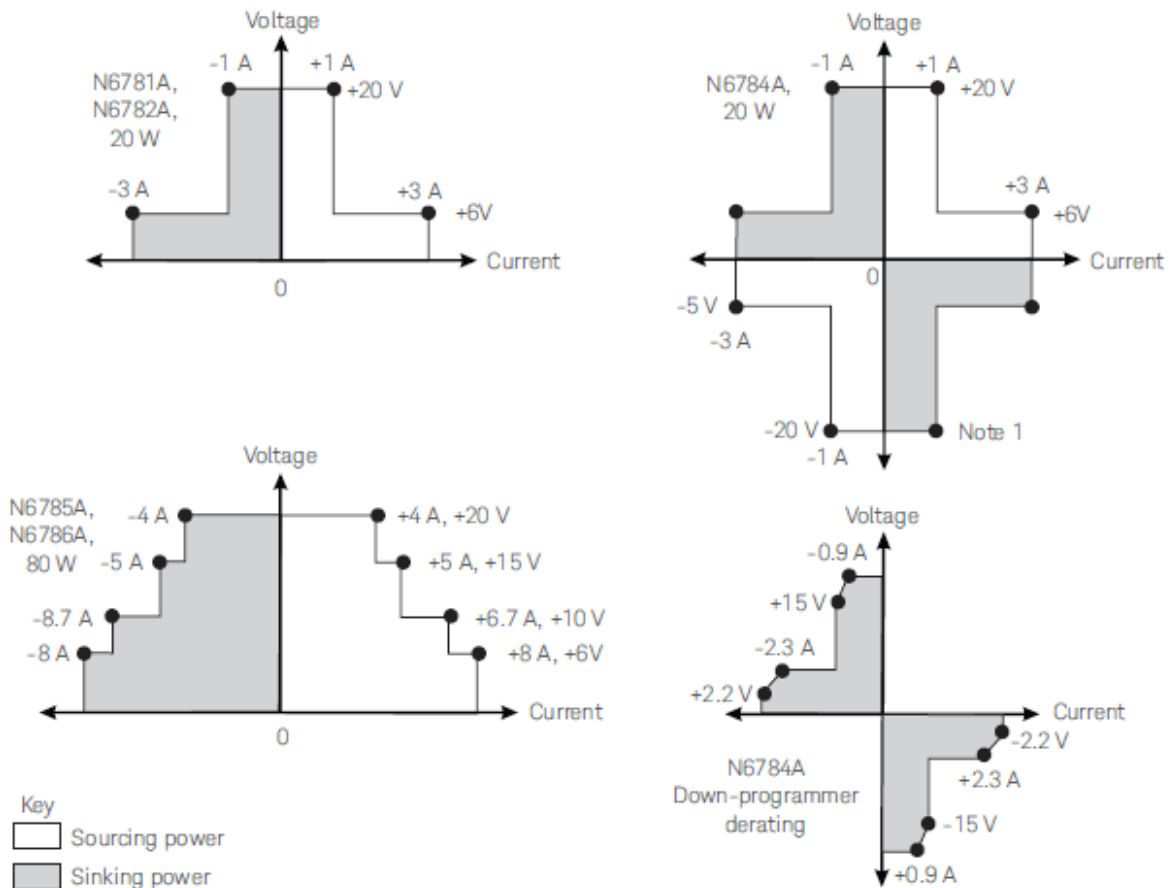
- 4-quadrant power supply (N6784A only)
- 2-quadrant power supply
- Unipolar power supply (i.e., 1-quadrant)
- CC load
- CV load
- Voltage measure (i.e., voltmeter mode)
- Current measure (i.e., ammeter mode)
- Battery emulator (N6781A and N6785A only)
- Battery charger (N6781A and N6785A only)

N6781A/82A/84A Performance Specifications

This is an abbreviated list of specifications and characteristics. For the complete list of specifications and characteristics, please see Chapter 5 in the Keysight N6700 Series Power Modules Specifications Guide, literature number N6700-90001 (<http://literature.cdn.keysight.com/litweb/pdf/N6700-90001.pdf>).

	N6781A, N6782A	N6784A	N6785A, N6786A
DC output ratings			
Voltage	+ 20 V/6V	20 V / 6 V	20 V/15 V/10 V/6 V
Current (derated 1% per °C above 30°C)	±1A/± 3 A	± 1 A / ±3 A	±4 A/±5 A/±6.7 A/±8 A
Power	20 W	20 W	80 W
Output voltage ripple & noise (PARD) (from 20 Hz – 20 MHz, at full load)			
CV peak-to-peak	12 mV	12 mV	15 mV
CV rms	1.2 mV	1.2 mV	1.5 mV
Load effect (load regulation):			
(For any load change, based on a load lead drop 1.0 V. The load lead drop reduces the maximum available voltage at the load.)			
Voltage, 20 V, 15 V, 10 V, & 6 V ranges	700 µV, N/A, N/A, 400 µV	700 µV, N/A, N/A, 400 µV	700 µV
Current, 3 A, 1 A, & 300 mA ranges	100 µA, 50 µA	100 µA, 50 µA	N/A
Current, 8 A, 6.7 A, 5 A, & 4 A ranges	-	-	400 µA
Programming accuracy: (At 23 °C ±5 °C after 30 min. warm-ups. Applies from minimum to maximum programming range at any load.)			
Voltage, 20 V range	0.025% + 1.8 mV	0.025% + 1.8 mV	0.025% + 1.8 mV
Voltage, 15 V & 10 V ranges	-	-	0.025% + 1.8 mV
Voltage, 6 V range	0.025% + 600 µV	0.025% + 600 µV	0.025% + 1.8 mV
Voltage, 600 mV range	0.025% + 200 µV	0.025% + 200 µV	-
Current, 8 A, 6.7 A, 5 A, & 4 A ranges	-	-	0.04% + 1.5 mA
Current, 3 A & 1 A range	0.04% + 300 µA	0.04% + 300 µA	-
Current, 300 mA range	0.03% + 150 µA	-	-
Current, 100 mA range	-	0.03% + 12 µA	-
Current, 10 mA range	-	0.025% + 5 µA	-
Resistance (in 20 V output range)	0.1% + 3 mΩ	-	0.1% + 1 mΩ
Resistance for 15 V & 10 V ranges	-	-	0.1% + 1 mΩ
Resistance (in 6 V output range)	0.1% + 1.5 mΩ	-	0.1% + 1 mΩ
Measurement accuracy: (at 23 °C ±5 °C)			
Voltage, 20 V range	0.025% + 1.2 mV	0.025% + 1.2 mV	0.025% + 1.8 mV
Voltage, 1 V range	0.025% + 75 µV	0.025% + 75 µV	-
Voltage, 100 mV range	0.025% + 50 µV	0.025% + 50 µV	-
Auxiliary Voltage Measurement Input	0.025% + 5 mV	-	0.025% + 5 mV
Current, 8 A range	-	-	0.04% + 1.5 mA
Current, 3 A range	0.03% + 250 µA	0.03% + 250 µA	-
Current, 100 mA range	0.025% + 10 µA	0.025% + 10 µA	0.025% + 10 µA
Current, 1 mA range	0.025% + 100 nA	0.025% + 100 nA	0.025% + 100 nA
Current, 10 µA range	0.025% + 8 nA	0.025% + 8 nA	-
Load transient response time in Voltage Priority mode: Time to recover to within the settling band.			
With 150 µF cap (ESR=50 mΩ) at load, remote sensing at cap, 4.25' twisted pair load leads - See Service Guide for setup information.			
Rise time (10% to 90%)	10 µs	10 µs	10 µs
Settling band			
• 20 V range with a 0.8 A load step	• ± 10 mV	• ± 10 mV	• ± 20 mV
• 15 V & 10 V range with a 1.4 A load step	• -	• -	• ± 20 mV
• 6 V range with a 1.4 A load step	• ± 20 mV	• ± 20 mV	• ± 20 mV
Recovery time	≤ 35 µs	≤ 35 µs	≤ 35 µs
Source effect (line regulations)			
Voltage	300 µV	300 µV	100 µV
Current	60 µA	60 µA	100 µA

Supplemental Characteristics



Note 1. When sinking power, the N6784A model can operate at the maximum rated output power for only a limited amount of time. The unit monitors the temperature of the internal power devices and latches the output off if the output power has exceeded its safe limits. A protect clear is required to resume normal operation. The condition is announced by the OT status bit. Refer to the down programmer derating figure for the values of the safe limit boundaries.

Unless otherwise noted, specifications are warranted over the ambient temperature range of 0 to 55 °C after a 30-minute warm-up period. Unless otherwise noted, specifications apply at the mainframe output terminals, with each module's sense terminals internally connected to its output terminals (local sensing).

For the setup conditions and verification/calibration, refer to the Keysight N6705B Service Guide (literature number N6705-90010) <http://literature.cdn.keysight.com/litweb/pdf/N6705-90010.pdf>.

Supplemental characteristics are not warranted but are descriptions of performance determined by design or type testing. All supplemental characteristics are typical unless otherwise noted.

Ordering information

Model number	Description
N6781A	2-Quadrant Source/Measure Unit for Battery Drain Analysis (20 W).
N6782A	2-Quadrant Source/Measure Unit for Functional Test (20 W).
N6784A	4-Quadrant General Purpose Source/Measure Unit (20 W).
N6785A	2-Quadrant Source/Measure Unit for Battery Drain Analysis (80 W).
N6786A	2-Quadrant Source/Measure Unit for Functional Test (80 W).
PW9252A	PathWave Advanced Power Control and Analysis
N6705U-057	Upgrade kit, rear panel only - replaces the rear panel of N6705A with that of N6705B.
N6705U-058	SMU accessories - output adapter kit for N6705A, cable extensions for N6785A/86A.



Mess- und Prüftechnik. Die Experten.

**Ihr Ansprechpartner /
Your Partner:**

dataTec AG
E-Mail: info@datatec.eu
>>> www.datatec.eu



Keysight enables innovators to push the boundaries of engineering by quickly solving design, emulation, and test challenges to create the best product experiences. Start your innovation journey at www.keysight.com.

This information is subject to change without notice. © Keysight Technologies, 2018 – 2025, Published in USA, March 12, 2025, 5990-5829EN