



Mess- und Prüftechnik. Die Experten.

Ihr Ansprechpartner / dataTec AG  
Your Partner: E-Mail: info@datatec.eu  
>>> [www.datatec.eu](http://www.datatec.eu)



# FLIR A6751

## P/N: 29440-251

### Copyright

© 2023, FLIR Systems, Inc.

All rights reserved worldwide. Names and marks appearing herein are either registered trademarks or trademarks of FLIR Systems and/or its subsidiaries. All other trademarks, trade names or company names referenced herein are used for identification only and are the property of their respective owners.

### Document identity

Publ. No.: 29440-251  
Commit: 90834  
Language:  
Modified: 2023-03-08  
Formatted: 2023-05-02

### Website

<http://www.flir.com>

### Customer support

<http://support.flir.com>

### Disclaimer

Specifications subject to change without further notice. Camera models and accessories subject to regional market considerations. License procedures may apply. Products described herein may be subject to US Export Regulations. Please refer to [exportquestions@flir.com](mailto:exportquestions@flir.com) with any questions.



Specifications	
System Overview	A6751
Detector Type	FLIR Indium Antimonide (InSb)
Spectral Range	3.0 – 5.0 $\mu\text{m}$
Resolution	640 x 512
Pixel Size (square)	15 $\mu\text{m}$
Thermal Sensitivity/NETD	$\leq 20 \text{ mK}$
Operability	$\geq 99.8\%$ ( $\geq 99.95\%$ typical)
Sensor Cooling	Closed-cycle rotary
Electronics	
Readout Type	Snapshot
Readout Modes	Asynchronous integrate while read Asynchronous integrate then read
Synchronization Modes	Sync In, Sync Out
Image Time Stamp	Yes
Integration Time	480 ns to Full Frame
Pixel Clock	50 MHz
Frame Rate (Full Window)	Programmable; 0.0015 Hz to 125Hz
Subwindow Mode	Flexible windowing down to 16 x 4 (steps of 16 columns, 4 rows)
Dynamic Range	14-bit
On-Camera Image Storage	None
Radiometric Data Streaming	Gigabit Ethernet (GigE Vision)
Standard Video	SDI
Command and Control	GenICam (GigE)
Temperature Measurement	
Standard Temperature Range (with band matched optics)	-20°C to 350°C (-4°F to 662°F) -10°C for microscopes
Optional Temperature Range (with band matched optics)	45°C to 600°C (ND1) 250°C to 2000°C (ND2) 500°C to 3000°C (ND3)
Accuracy	$\leq 100^\circ\text{C} \pm 2^\circ\text{C}$ ( $\pm 1^\circ\text{C}$ typical), $> 100^\circ\text{C} \pm 2\%$ of reading ( $\pm 1\%$ typical)
Ambient Drift Compensation (with factory cal)	Yes

# FLIR A6751

P/N: 29440-251

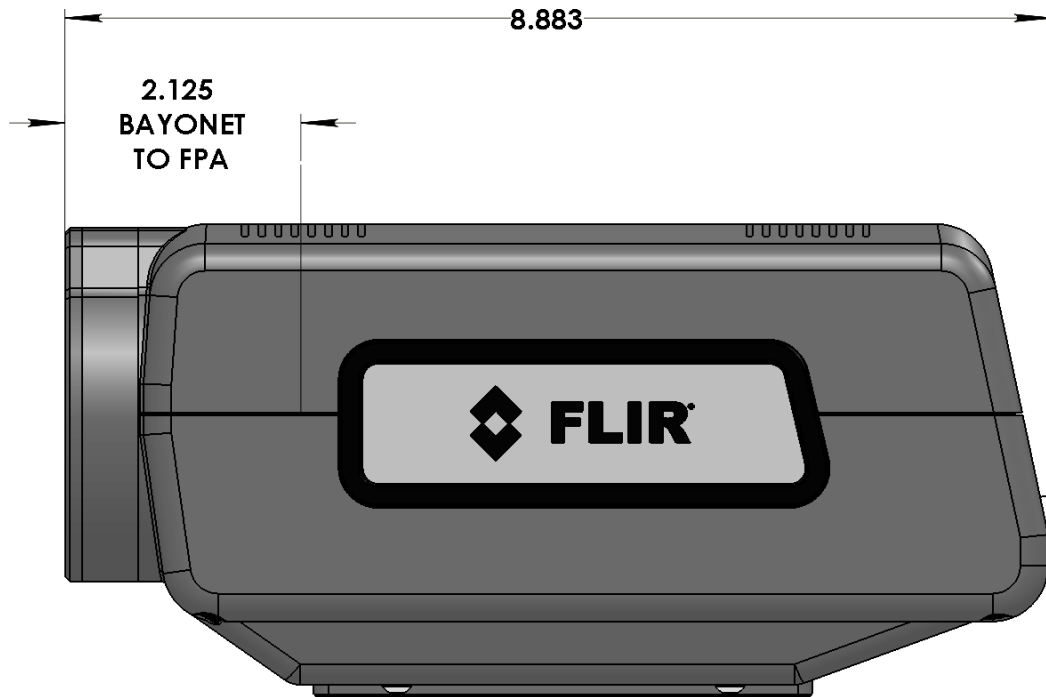
© 2023, FLIR Systems, Inc.

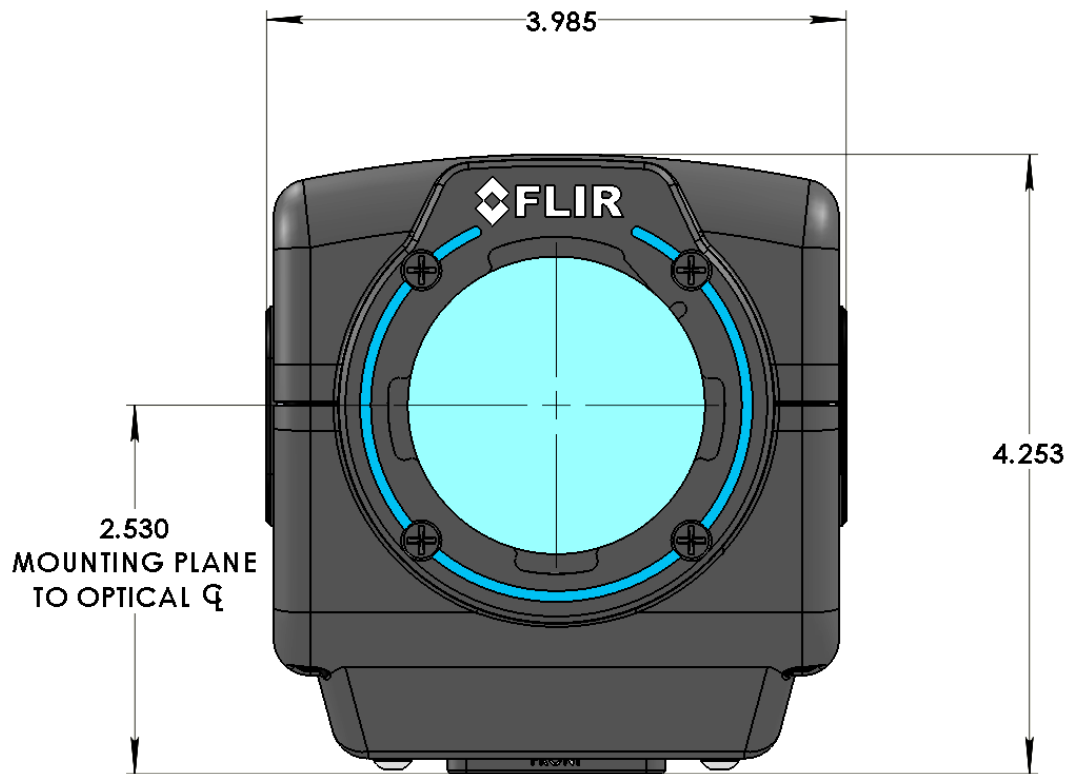
#29440-251; r. 90834;

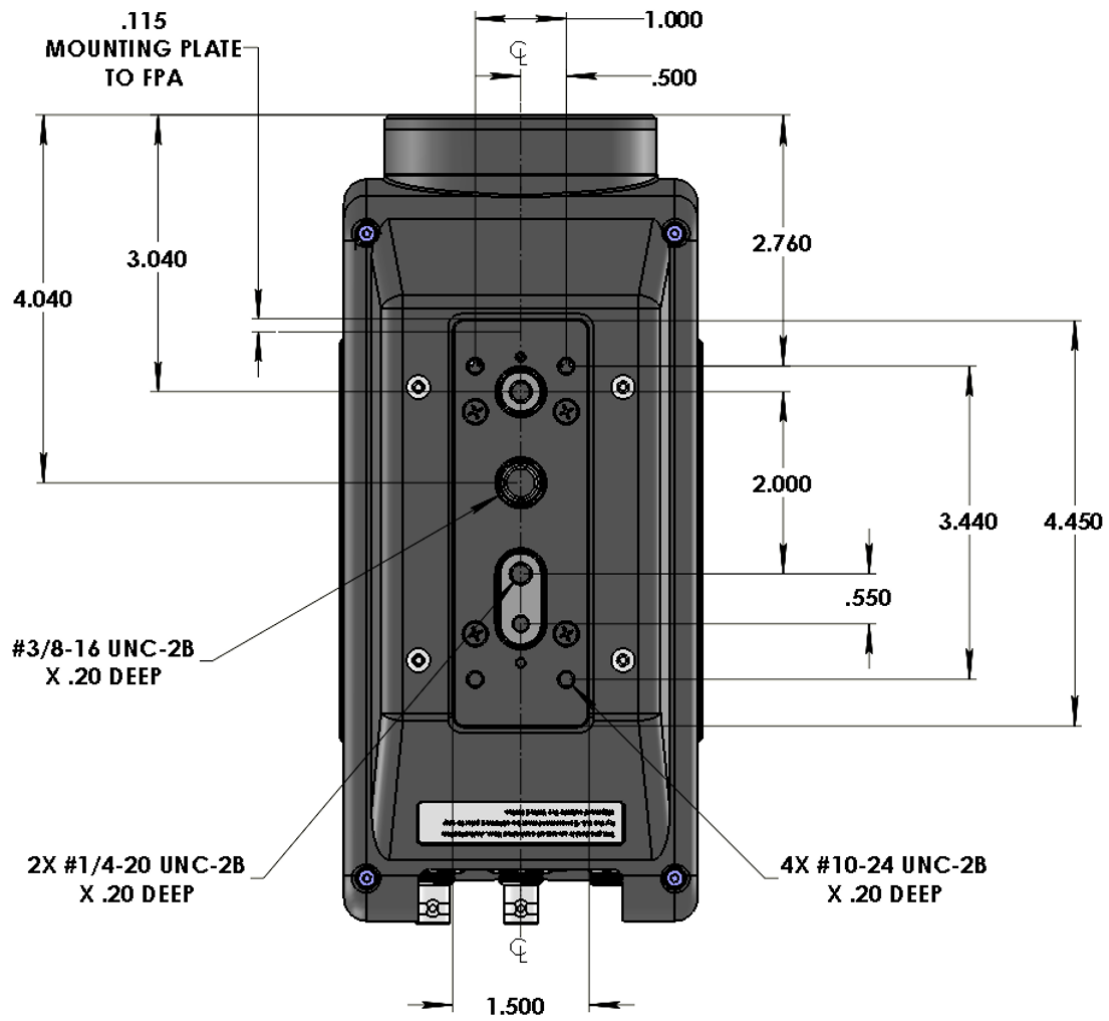
<b>Optics</b>	
Camera f/Number	f/2.5
Available Lenses	17 mm, 25 mm, 50 mm, 100 mm, 200 mm
Close-up Lenses/Microscopes	1X, 3X
Lens Interface	FLIR HDC (4-tab bayonet)
Focus	Manual
Filter Holder (Warm)	Behind lens mount for standard 1 inch diameter filters
<b>Image/Video Presentation</b>	
Palettes	Selectable 8-bit
Automatic Gain Control	Manual, Linear, Plateau equalization, DDE
Overlay	Fixed configuration, can be turned off
Video Modes	SDI: 720p@50/59.9/60Hz
Standard Video Zoom	Auto, best fit
<b>General</b>	
Operating Temperature Range	-20°C to 50°C (-4°F to 122°F)
Power	24 VDC (< 24 W steady state)
Weight w/o Lens	2.3 kg (5 lbs)
Size (L x W x H) w/o Lens	226 x 102 x 109 mm (8.9 x 4.0 x 4.3 in.)
Mounting	2 x 1/4" -20 tapped holes 1 x 3/8" -16 tapped holes 4 x 10-24 tapped holes
Export Classification	ECCN 6A003.b.4.a
Declaration of conformity	See: <a href="https://support.flir.com/resources/DoC">https://support.flir.com/resources/DoC</a>

## Supplies & accessories:

- 4215502; Lens 3-5 um 100 mm f/2.5 FPO Manual Bayonet
- 4215423; Lens 3-5 um 17 mm f/2.5 FPO Manual Bayonet
- 4215504; Lens 3-5 um 200 mm f/2.5 FPO Manual Bayonet
- 4215425; Lens 3-5 um 25 mm f/2.5 FPO Manual Bayonet
- 4215500; Lens 3-5 um 50 mm f/2.5 FPO Manual Bayonet
- T300385; Lens 3-5 um Macro f/2.5 MW FPO Manual Bayonet
- 4214995; Lens 3-5 um, 1X microscope, f/2.5 FPO Manual Bayonet
- 4219797; Lens 3-5 um, 3X microscope, f/2.5 FPO Manual Bayonet
- 4227599; FLIR Science Camera Power Supply
- 4233062; Cooled Science A and X Camera Microscope Stand
- 4232535; FLIR Research Studio, Professional Edition - 1 Year Subscription (online activation)
- 4232556; FLIR Research Studio, Professional Edition - Perpetual License (online activation)
- 4232590; FLIR Research Studio, Professional Edition - Perpetual License (USB dongle)
- 4220499; FLIR Research Studio, Standard Edition - 1 Year Subscription (online activation)
- 4220500; FLIR Research Studio, Standard Edition - Perpetual License (online activation)
- 4220646; FLIR Research Studio, Standard Edition - Perpetual License (USB dongle)
- 4232591; FLIR ResearchIR to Research Studio, Professional Edition - 1 Year License Upgrade
- 4224157; FLIR Science Camera SDK
- 4216760; FLIR Science File SDK







Mess- und Prüftechnik. Die Experten.

Ihr Ansprechpartner /  
Your Partner:

**dataTec AG**

E-Mail: [info@datatec.eu](mailto:info@datatec.eu)

>>> [www.datatec.eu](http://www.datatec.eu)

