



Probing Solutions.
Made in Germany.



Ihr Ansprechpartner /
Your Partner:

dataTec AG
E-Mail: info@datatec.eu

>>> www.datatec.eu

Mess- und Prüftechnik. Die Experten.



Test Point to 4mm Adapters

for PMK's
High-Voltage Differential Probe Series

Datasheet



About Test Point to **4mm Adapters for PMK's** HV Differential Probes

The test point to 4mm adapters allow the direct connection of BumbleBee® and HORNET® series high-voltage differential probes to test points with square pins or MMCX, SMA or BNC connector. The specified BumbleBee® and HORNET® series probe bandwidth remains valid. These probe adapters are not for handheld use.

Specifications

PMK's 4mm adaptors are for use in a controlled environment in accordance with IEC 61010-1 only. The adaptors are not for hand-held use. The PMK probe's bandwidth specification stays valid. This product is not rated for CAT II, III or IV. Do not exceed the specifications.

Order number	Maximum non-destructive Input Voltage	Input Connector
4mm-MMCX-M	250V DC + AC pk, 500V pulse	MMCX (male)
4mm-MMCX-F	250V DC + AC pk, 500V pulse	MMCX (female)
4mm-SMA-M	500V DC + AC pk, 1000V pulse	SMA (male)
4mm-SMA-F	500V DC + AC pk, 1000V pulse	SMA (female)
4mm-BNC-F	750V DC + AC pk, 1500V pulse	BNC (female)
4mm-WSQ-5.08 ¹	750V DC + AC pk, 1500V pulse	5.08mm pitch holes, (-) (+) (-)

Pollution Degree: 1

Output connectors: 4mm safety banana (female)

Note:

¹ Observe layout requirements.

Connect both (-) inputs for best performance.

Environmental Specifications

Parameter		Specification
Temperature Range	Operating	0 °C to +50 °C
	Non-Operating	-40 °C to +71 °C
Maximum Relative Humidity	Operating	80 % relative humidity for temperatures up to +31 °C, decreasing linearly to 40 % at +50 °C
	Non-Operating	95 % relative humidity for temperatures up to +40 °C
Altitude	Operating	up to 2000 m
	Non-Operating	up to 15000 m

4mm-WSQ-5.08: Layout requirements



Electrical Specifications are only valid if the pitch between solder pads is >2.5mm, and solder pads have a round shape.

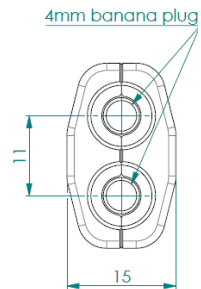
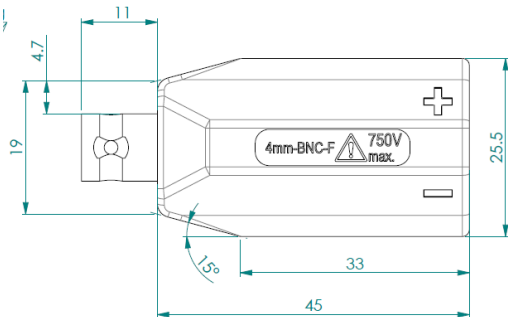
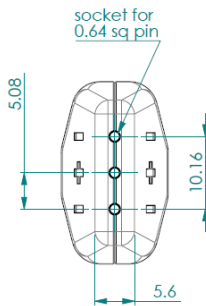
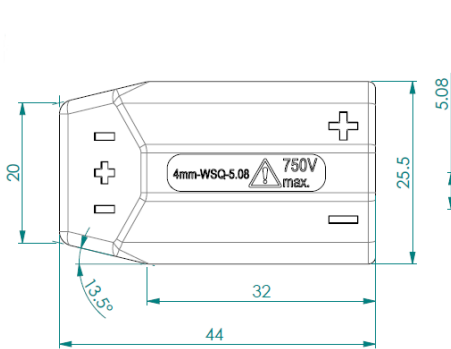
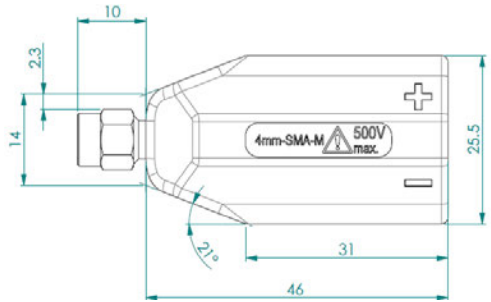
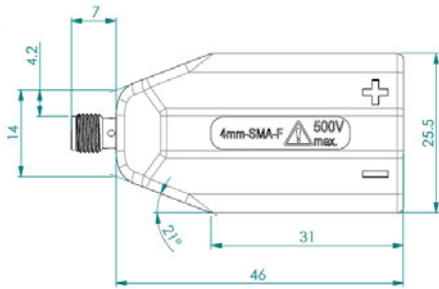
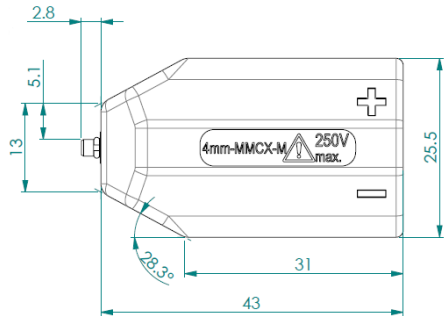
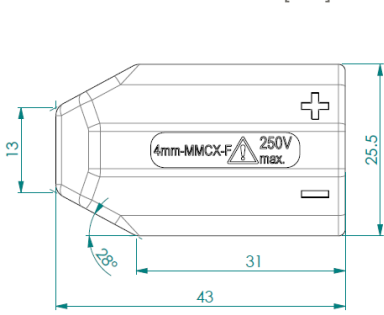
4mm-MMCX models



Observe max. disengagement force <8N

Dimensions

The dimensions are shown in [mm].





Mess- und Prüftechnik. Die Experten.

**Ihr Ansprechpartner /
Your Partner:**

dataTec AG

E-Mail: info@datatec.eu

>>> www.datatec.eu

Copyright © 2024 PMK - All rights reserved.

Information in this publication supersedes that in all previously published material.
Specifications are subject to change without notice.

Informationen in dieser Anleitung ersetzen die in allen bisher veröffentlichten Dokumenten.
Änderungen der Spezifikationen vorbehalten.