

USER GUIDE AND TERMINAL BLOCK SPECIFICATIONS

NI PXIe-4300 and TB-4300/B/C

8 Ch, 250 kS/s, 300 V Ch-Ch Isolated Analog Input Module

Français Deutsch 日本語 한국어 简体中文

ni.com/manuals

This document describes how to install, configure, and set up the NI PXIe-4300 with the TB-4300/4300B/4300C (TB-4300/B/C) terminal block, connect signals, and verify that the system is working properly. Current versions of NI documents are available at ni.com/manuals.

The TB-4300/B/C terminal blocks are designed for use with the following module as specified:

NI PXIe-4300	10 V maximum voltage measurement range, AI+ to AI-
TB-4300	10 V maximum voltage measurement range, AI+ to AI-
TB-4300B	300 V maximum voltage measurement range, AI+ to AI-
TB-4300C	20 mA maximum current measurement range, AI+ to AI-



Note The keying of these terminal blocks prevent them from connecting to other modules that could be damaged by the voltage present on the terminal block. However, you should only use these terminal blocks with their supported modules.



Caution Ensure that devices and circuits connected to the module are properly insulated from human contact.



Caution When hazardous voltages ($>30 V_{\text{rms}}/42.4 V_{\text{pk}}/60 \text{ VDC}$) are present on any terminal, safety low-voltage ($\leq 30 V_{\text{rms}}/42.4 V_{\text{pk}}/60 \text{ VDC}$) cannot be connected to any other terminal.



Caution Do *not* supply hazardous voltages ($>30 V_{\text{rms}}/42.4 V_{\text{pk}}/60 \text{ VDC}$) to the terminal block without the terminal block being connected to the NI PXIe-4300.

Contents

Electromagnetic Compatibility Guidelines.....	2
What You Need to Get Started	3
Installation	4
Install the Software	4
Unpack and Install the Module.....	4
Connect the Signals	6
Install the Terminal Block	8
Confirm NI PXIe-4300 Module Recognition	9
Run Test Panels	10
Take an NI-DAQmx Measurement.....	11
Use Your NI PXIe-4300 in an Application	12
Terminal Block Removal.....	13
Module Removal.....	14
Create a Simulated Device.....	15
More Information.....	16
Troubleshooting	16
Specifications (TB-4300/B/C)	16
Calibration Interval	16
Electrical	16
Mechanical.....	17
Physical.....	17
Environmental Specifications.....	18
Shock and Vibration	18
Safety Voltages.....	19
Safety Standards	19
Electromagnetic Compatibility.....	19
CE Compliance	20
Online Product Certification.....	20
Environmental Management.....	20
Worldwide Support and Services	21

Electromagnetic Compatibility Guidelines

This product was tested and complies with the regulatory requirements and limits for electromagnetic compatibility (EMC) stated in the product specifications. These requirements and limits provide reasonable protection against harmful interference when the product is operated in the intended operational electromagnetic environment.

This product is intended for use in industrial locations. However, harmful interference may occur in some installations, when the product is connected to a peripheral device or test object, or if the product is used in residential or commercial areas. To minimize interference with radio and television reception and prevent unacceptable performance degradation, install and use this product in strict accordance with the instructions in the product documentation.

Furthermore, any modifications to the product not expressly approved by National Instruments could void your authority to operate it under your local regulatory rules.



Caution To ensure the specified EMC performance, operate this product only with shielded cables and accessories.



Caution To ensure the specified EMC performance, the length of all I/O cables must be no longer than 10 m (100 ft).

What You Need to Get Started

To set up and use the NI PXIe-4300 module and TB-4300/B/C terminal block, you need the following items:

- Hardware
 - NI PXIe-4300 module
 - TB-4300/B/C terminal block
 - NI PXIe chassis
 - Cabling and sensors as required for your application
- Tools
 - Number 1 and 2 Phillips-head screwdrivers
 - 1/8 in. flathead screwdriver
 - Long-nose pliers
 - Wire cutter
 - Wire insulation stripper
- Documentation
 - *Read Me First: Safety and Electromagnetic Compatibility*
 - *NI PXIe-4300 and TB-4300/B/C User Guide and Terminal Block Specifications*
 - *NI PXIe-4300 User Manual*
 - NI PXIe chassis user manual

You can download needed documents from ni.com/manuals.

Installation

Install the Software



Note You must be an administrator to install NI software and devices on your computer.

Ensure the following software is installed before installing the NI PXIe-4300 and TB-4300/B/C hardware:

1. Your application software, such as LabVIEW, LabWindows™/CVI™, or .NET.
2. NI-DAQmx—The PXIe-4300 module and TB-4300/B terminal blocks were first supported in NI-DAQmx 9.1. The TB-4300C terminal block was first supported in NI-DAQmx 15.1.



Note For detailed NI software version support, refer to the NI-DAQmx Readme. Back up any applications before upgrading software or modifying the application.

Unpack and Install the Module

Remove the packaging and inspect the module. Contact NI if the module is damaged. Do not install a damaged module.



Caution The module is static sensitive. Always properly ground yourself and the equipment when handling or connecting to the module.

Complete the following steps to install the NI PXIe-4300 while referring to Figures 1 and 2:



Note To maintain forced air cooling in the PXIe system, refer to the *Maintain Forced-Air Cooling Note to Users*.

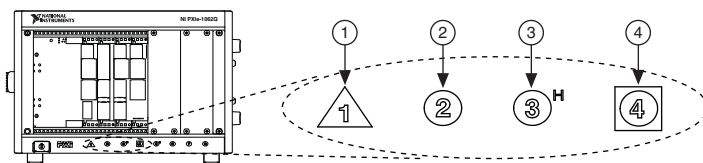
1. Plug in your chassis before installing the NI PXIe-4300. The power cord grounds the chassis and protects it from electrical damage while you install the module.
2. Make sure the chassis is powered off.



Caution To protect yourself, the chassis, and the NI PXIe-4300 from electrical hazards, leave the chassis powered off until you finish installing the NI PXIe-4300 module.

3. Touch a metal part on the chassis to discharge any accumulated static electricity.
4. Identify a supported PXI Express slot in the chassis. NI PXIe-4300 modules can be placed only in PXI Express Peripheral slots, PXI Express Hybrid Peripheral slots, and PXI Express System Timing slots. Refer to the chassis documentation for details.

Figure 1. Symbols for PXI Express/PXI Express Hybrid/PXI Slots



- | | |
|--------------------------------------|--------------------------------------|
| 1 PXI Express System Controller Slot | 3 PXI Express Hybrid Peripheral Slot |
| 2 PXI Peripheral Slot | 4 PXI Express System Timing Slot |

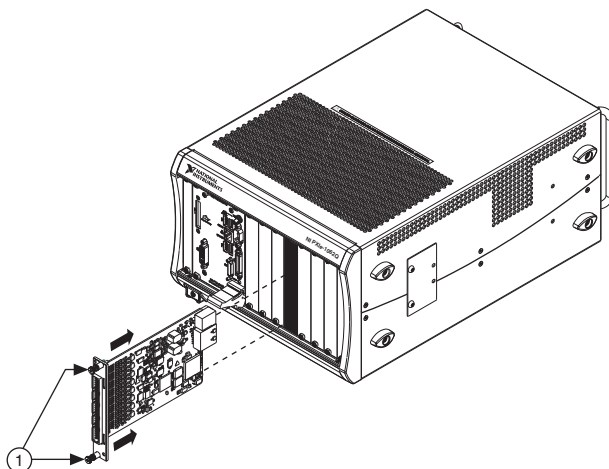
- Remove the filler panel, and touch any metal part of the chassis to discharge static electricity.
- Place the module edges into the module guides at the top and bottom of the slot.



Caution When installing the module, make sure both edges are positioned inside the guides and that the module components do *not* come into contact with adjacent modules.

- Slide the module along the guides until it reaches the rear connector, then seat the module by pushing the front panel until it is flush with the front panel of the chassis.
- Secure the module to the chassis using the front-panel captive screws, shown in Figure 2. Tighten the screws to 0.31 N · m (2.7 lb · in.).

Figure 2. Installing NI PXIe-4300 Modules



- Captive Screws

Connect the Signals



Note Refer to the *Read Me First: Safety and Electromagnetic Compatibility* before removing equipment covers or connecting or disconnecting any signal wires.

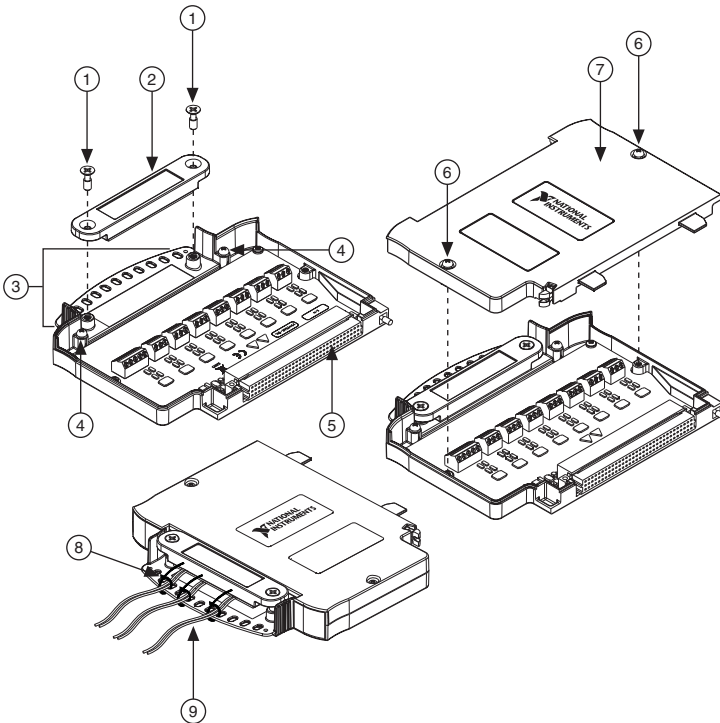
To connect signals to the terminal block, refer to Figures 3 and 4 while completing the following steps:



Note You can find the pinout names and locations in MAX at any time by right-clicking the device name under **Devices and Interfaces** and selecting **Device Pinouts**.

1. Loosen the captive top cover screws and remove the top cover.
2. Loosen the strain-relief screws and remove the strain-relief bar.
3. Prepare the signal wire by stripping the insulation no more than 7 mm (0.28 in.).
4. Run the signal wires through the strain-relief opening.

Figure 3. TB-4300/B/C Parts Locator Diagram



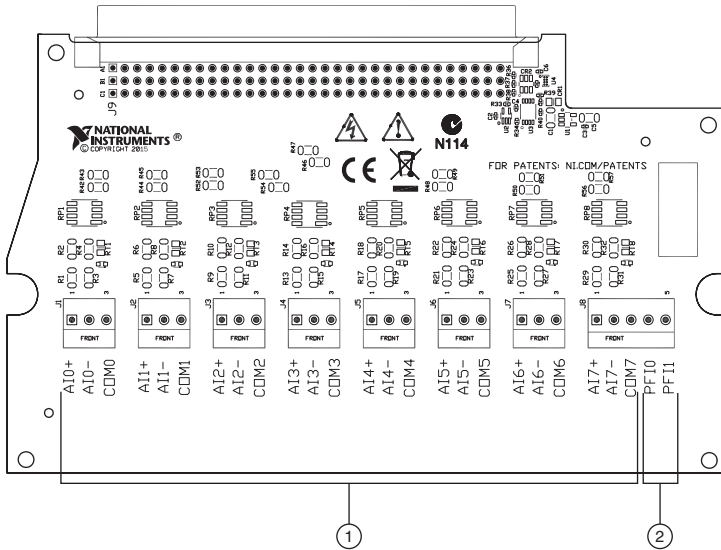
1 Strain-Relief Screws	4 Ground Lugs	7 Top Cover
2 Strain-Relief Bar	5 Terminal Block to Module Connector	8 Tie Wraps
3 Tie Wrap Holes	6 Captive Top Cover Screws	9 Signal Wires

- Insert the stripped end of the signal wires fully into the appropriate terminal. Refer to the label next to each screw terminal to determine the function of the terminal. The *NI PXIe-4300 User Manual* provides more detailed wiring information. Make sure no exposed wire extends past the screw terminal. Exposed wire increases the risk of a short circuit that can cause circuit failure.



Note For accurate measurements, the COM terminal for the channel being used must be connected to the ground of the AI source being measured. For the TB-4300C, connect AI- to COM for the channel being used.

Figure 4. TB-4300/B/C Circuit Board Parts Locator Diagram



1 AI+, AI-, and COM Channels

2 Input PFI Channels

- Tighten the terminal screws to a torque of $0.25 \text{ N} \cdot \text{m}$ ($2.21 \text{ lb} \cdot \text{in.}$).



Caution Any wires connected to the ground must be sufficiently insulated from high voltage.

- Use the ground lugs to attach a shield wire to the ground.



Note Refer to the *NI PXIe-4300 User Manual* for details about shielding the signals.

- Reinstall the strain-relief bar and tighten the strain-relief screws.

9. Use tie wraps to connect the signal wires to the tie-wrap holes for additional strain relief when necessary.
10. Reinstall the top cover and tighten the captive top cover screws.



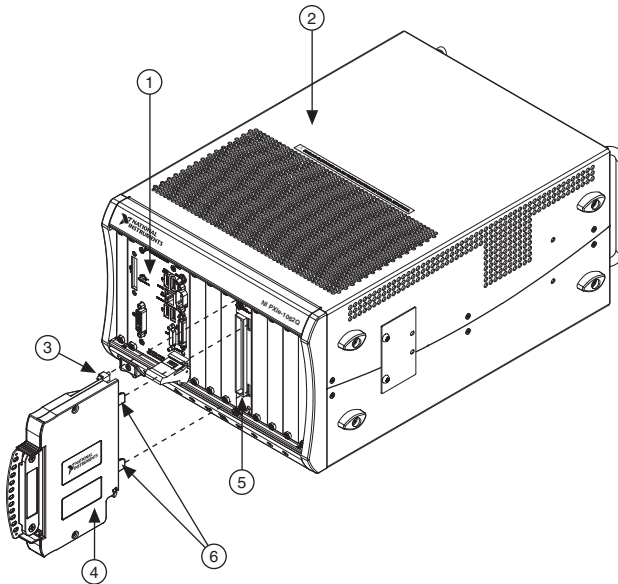
Note For information about sensors, go to ni.com/sensors.

Install the Terminal Block

Refer to Figure 5 to install the terminal block on the module while completing the following steps:

1. Move the TB-4300/B/C into position in front of the NI PXIe-4300 and engage the alignment feature with the guide on the associated module.

Figure 5. Installing the TB-4300/B/C on the NI PXIe-4300 Module



1 NI PXIe Controller	3 Mounting Screw	5 NI PXIe-4300 Module
2 NI PXIe Chassis	4 TB-4300/B/C Terminal Block	6 Alignment Feature

2. Attach the TB-4300/B/C to the NI PXIe-4300 module by pushing the terminal block straight into the module. A spring mechanism will lock in the bottom of the terminal block.
3. Tighten the mounting screw at the top of the TB-4300/B/C to attach it to the NI PXIe-4300 module.

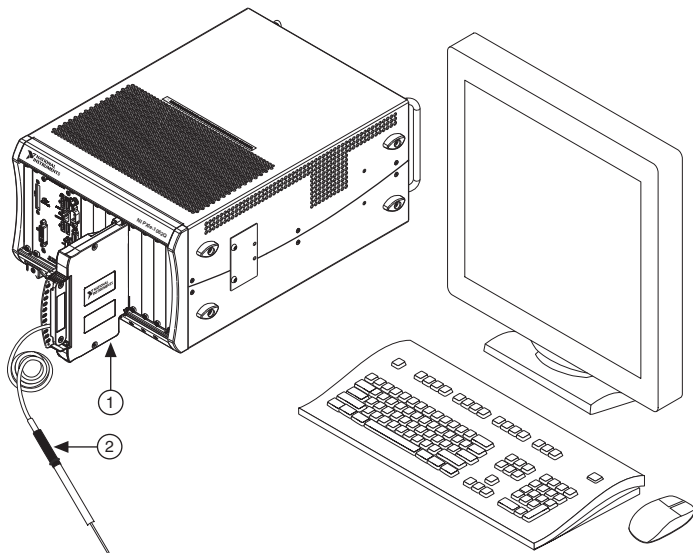


Note For safety purposes and to prevent damage to equipment when high voltages are present, all NI PXIe-4300 modules and terminal blocks are keyed to prevent connection between incompatible terminal blocks, modules, and/or cables.

4. Power on the chassis.

Figure 6 shows an example NI PXIe-4300 system setup.

Figure 6. Sample NI PXIe-4300 System



1 Terminal Block

2 Signal Input

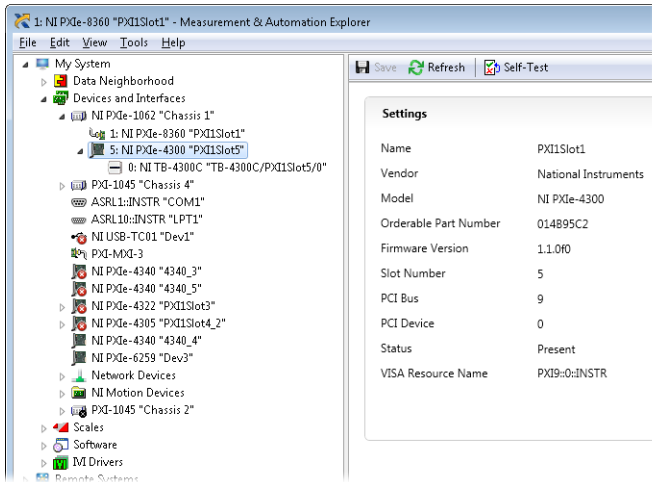
Confirm NI PXIe-4300 Module Recognition

To confirm module recognition, complete the following steps:



Note Make sure you are using the most recent version of NI-DAQmx. If you are using an older version of the driver software, the NI PXIe-4300 terminal block may work only in basic functionality mode. Unsupported terminal blocks appear in Measurement & Automation Explorer (MAX) with an X next to them.

1. Launch MAX.
2. Expand **Devices and Interfaces**, and expand **NI-DAQmx Devices** to confirm that MAX detects the module and terminal block. The terminal block should appear beneath its associated module. If your module or terminal block is not listed, press <F5> to refresh MAX. If the module is still not recognized, go to ni.com/support/daqmx.



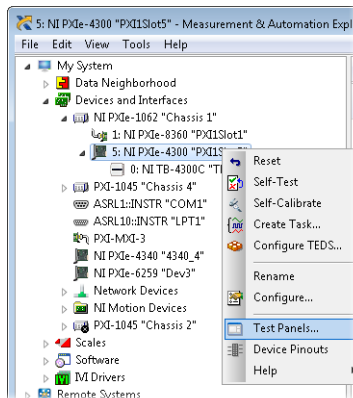
Tip Using an NI-DAQmx simulated device, you can test NI-DAQmx applications without installing hardware. Refer to the [Create a Simulated Device](#) section for instructions for creating NI-DAQmx simulated devices.

3. Right-click the module name and select **Self-Test**. When the self-test completes, a verification message appears. If an error occurs, refer to ni.com/support/daqmx.

For information about sensors, go to ni.com/sensors.

Run Test Panels

1. In MAX, expand **Devices and Interfaces**, and select the chassis in which the module is located.
2. Right-click the device, and select **Test Panels**.



3. Click **Start** to test device functions, or **Help** for operating instructions.

To troubleshoot errors, refer to the *NI-DAQmx Help*, or go to ni.com/support.

Take an NI-DAQmx Measurement

NI-DAQmx Channels and Tasks

Refer to the *NI-DAQmx Help* for complete information about channels and tasks.

Use the DAQ Assistant to configure virtual channels and tasks in MAX or in your application.

Configure a Task Using the DAQ Assistant from MAX

Complete the following steps to create a task using the DAQ Assistant in MAX:

1. In MAX, right-click **Data Neighborhood** and select **Create New** to open the DAQ Assistant.
2. Select **NI-DAQmx Task** and click **Next**.
3. Select **Acquire Signals**.



Note The NI PXIe-4300 cannot generate signals.

4. Select analog input, and the measurement type, such as voltage.
5. Select the physical channel(s) to use, and click **Next**.
6. Name the task and click **Finish**.
7. Configure the individual channel settings. Each physical channel you assign to a task receives a virtual channel name. To modify the input range or other settings, select the channel. Click **Details** for physical channel information. Configure the timing and triggering for your task. Click **Run**.

Use Your NI PXIe-4300 in an Application

For NI software version compatibility, refer to the NI-DAQmx Readme, available from **Start» All Programs»National Instruments»NI-DAQmx**.

To get started with data acquisition in your application software, refer to the tutorials listed in Table 1.

Table 1. DAQ Assistant Tutorial Locations

Application	Tutorial Location
LabVIEW	Go to ni.com and search for Taking an NI-DAQmx Measurement in LabVIEW.
LabWindows/CVI	Go to Help»Contents . Next, go to Hardware Information»Data Acquisition»Taking an NI-DAQmx Measurement in LabWindows/CVI .
Measurement Studio	From within the Visual Studio Documentation, go to NI Measurement Studio Help»Developing Projects with Measurement Studio»Getting Started with the Measurement Studio Class Libraries»Measurement Studio Walkthroughs»Walkthrough: Creating a Measurement Studio NI-DAQmx Application .
NI SignalExpress*	From the Getting Started screen, click General Help Topics . Next, go to Using NI Hardware with SignalExpress»Taking an NI-DAQmx Measurement in NI SignalExpress .
* NI SignalExpress, an easy-to-use configuration-based tool for data logging applications, is at Start» All Programs»National Instruments»SignalExpress»NI SignalExpress .	

Programming Examples

NI-DAQmx includes example programs to help you get started developing an application. LabVIEW and CVI examples are located at **Help»Find Examples** in your application software. Text-based code examples are located at **All Programs»National Instruments»NI-DAQmx»Text-Based Code Support**. Modify example code and save it in an application, or use examples to develop a new application or add example code to an existing application.

For other examples, go to ni.com/info and enter the Info Code `daqmexp`.

Terminal Block Removal

To remove the terminal block, refer to the appropriate figure while completing the following steps:



Note Later TB-4300/B/C revisions include a latch release that you can use to remove the terminal block from the module.



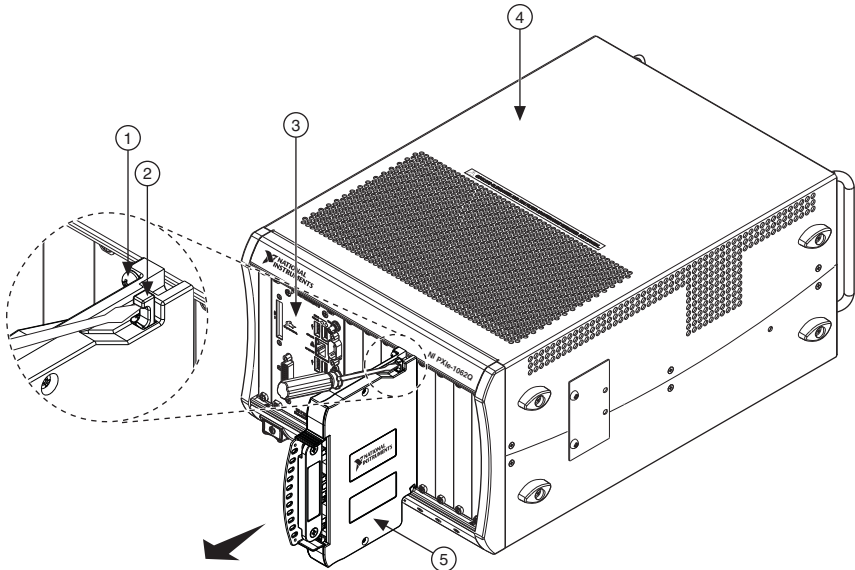
Note The chassis can be powered on or off when removing the terminal block.

1. Ensure that the devices and circuits connected to the terminal block are powered down and are no longer hazardous live.
2. Loosen the terminal block captive screw located at the top of the terminal block.
3. Remove the terminal block according to the appropriate method:

Latch Release Method (refer to Figure 7)

- a. Raise the latch release using a flathead screwdriver to disengage the latch.
- b. With the latch release raised, grasp the terminal block and pull it away from the module.

Figure 7. Removing the TB-4300/B/C from the NI PXIe-4300 Module (Latch Release)

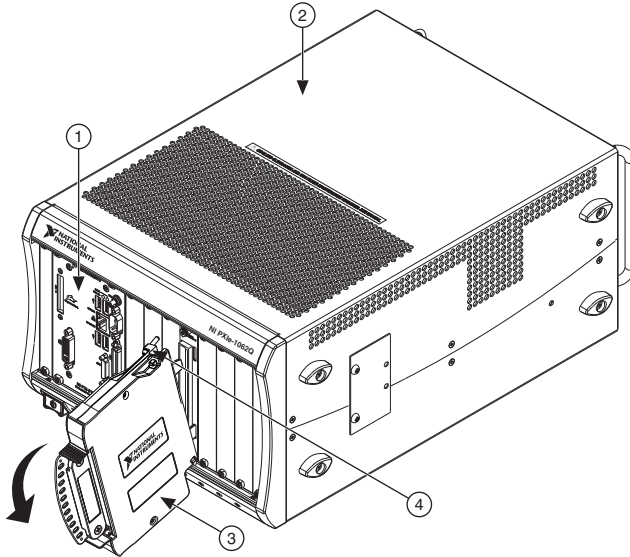


- | | | |
|------------------|-----------------------|------------------------------|
| 1 Mounting Screw | 3) NI PXIe Controller | 5 TB-4300/B/C Terminal Block |
| 2 Latch Release | 4) NI PXIe Chassis | |

Tilt-Down Method (refer to Figure 8)

- a. Tilt the terminal block down and away from the module to disengage the guides.
- b. Grasp the terminal block and pull it away from the module.

Figure 8. Removing the TB-4300/B/C from the NI PXIe-4300 Module (Tilt-Down)



- | | |
|----------------------|------------------------------|
| 1 NI PXIe Controller | 3 TB-4300/B/C Terminal Block |
| 2 NI PXIe Chassis | 4 Mounting Screw |

4. Store the terminal block in an antistatic protective bag.

Module Removal



Caution Do *not* remove a module with the power on. Doing so can damage the module.

To remove the module, refer to Figure 9 while completing the following steps:



Note To maintain forced air cooling in the PXIe system, refer to the *Maintain Forced-Air Cooling Note to Users*.

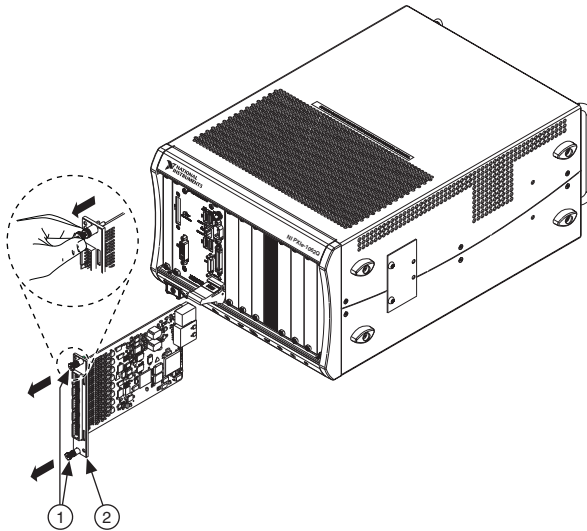
1. Make sure that the chassis is powered off before removing the module.
2. Loosen the captive screws on the top and bottom of the module.



Caution Do *not* pull the front panel to remove the module. Doing so may cause module components to come into contact with adjacent modules, causing damage to the modules.

3. Pull the captive screws to unseat the module and slowly slide the module along the guides.
4. Replace the filler panel in the empty slot.
5. Store the module in an antistatic protective bag.

Figure 9. Removing NI PXIe-4300 Modules



1 Captive Screws (Use to remove modules.)

2 Front Panel (Do not use to remove modules.)

Create a Simulated Device

To run examples without the hardware installed, use an NI-DAQmx simulated device. To create a simulated device in MAX:

1. Launch MAX.
2. Right-click **Devices and Interfaces»Create New**.
3. From the dialog, select **Simulated NI-DAQmx Device or Modular Instrument**.
4. Type 4300 in the text box at the top of the window.
5. Select the device from the list provided.
6. Click **OK**.

More Information

After you install NI-DAQmx, the NI-DAQmx documentation is available from **Start»All Programs»National Instruments»NI-DAQ**. Additional resources are online at ni.com/gettingstarted.

You can access online device documentation by right-clicking your module in MAX and selecting **Help»Online Device Documentation**. A browser window opens to ni.com/manuals with the results of a search for relevant documents. If you do not have web access, documents for supported modules are included on the NI-DAQmx disc.

Troubleshooting

- Go to ni.com/support/install or ni.com/kb.
- If you need to return your National Instruments hardware for repair or device calibration, go to ni.com/info and enter `rdseenn` to start the Return Merchandise Authorization (RMA) process.

Specifications (TB-4300/B/C)



Note NI PXIe-4300 module specifications are located in the *NI PXIe-4300 Specifications* document.

All performance specifications are typical unless otherwise noted. These specifications are valid within the full operating temperature range.

Calibration Interval

TB-4300	No calibration
TB-4300B	1 year interval (verification only)
TB-4300C	No calibration

Electrical

TB-4300	
Input impedance, device on	Feedthrough ¹
Input voltage range	±1, 2, 5, 10 V
Fault voltage protection	60 V max

¹ The TB-4300 is a feedthrough terminal block with no active circuitry. The input impedance registered is the input impedance of the module to which it is attached.

TB-4300B

- Attenuation ratio 30 to 1
- Attenuator tolerance 0.05%
- Attenuator temperature coefficient 5 ppm/°C
- Input impedance, device on 1.2 MΩ
- Input voltage range ±30, 60, 150, 300 V
- Fault voltage protection 300 V max

TB-4300C

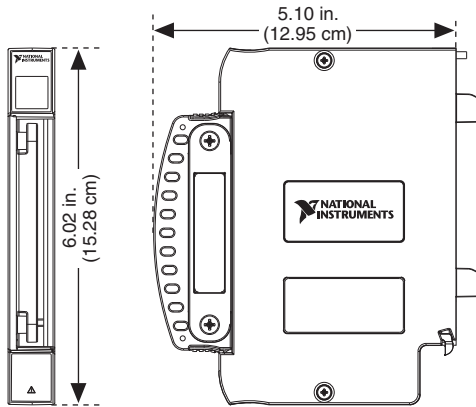
- Current sense resistor
 - Value 50 Ω
 - Tolerance..... ±0.1%
 - Temperature coefficient 15 ppm/°C
- Input impedance, device on or off 92 Ω
- Input current range..... ±20 mA, 4 to 20 mA
- Fault voltage protection 30 V max

Mechanical

Screw terminal wire gauge 1.31 mm² (16 AWG), max

Physical

Figure 10. TB-4300/B/C Dimensions



Weight..... 618 g (21.8 oz)



Caution Clean the hardware with a soft, nonmetallic brush. Make sure that the hardware is completely dry and free from contaminants before returning it to service.

Environmental Specifications

- Maximum altitude 2,000 m (800 mbar), at 25 °C ambient temperature
- Pollution Degree 2
- Indoor use only

Operating Environment

- Ambient temperature range 0 °C to 55 °C
(Tested in accordance with IEC 60068-2-1 and IEC 60068-2-2. Meets MIL-PRF-28800F Class 3 low temperature limit and MIL-PRF-28800F Class 2 high temperature limit.)
- Relative humidity range 10% to 90%, noncondensing
(Tested in accordance with IEC 60068-2-56.)

Storage Environment

- Ambient temperature range -40 °C to 71 °C
(Tested in accordance with IEC 60068-2-1 and IEC 60068-2-2. Meets MIL-PRF-28800F Class 3 limits.)
- Relative humidity range 5% to 95%, noncondensing
(Tested in accordance with IEC 60068-2-56.)

Shock and Vibration

- Operating shock 30 g peak, half-sine, 11 ms pulse
(Tested in accordance with IEC 60068-2-27. Meets MIL-PRF-28800F Class 2 limits.)
- Random vibration
 - Operating 5 Hz to 500 Hz, 0.3 g_{rms}
 - Non-operating 5 Hz to 500 Hz, 2.4 g_{rms}
(Tested in accordance with IEC 60068-2-64. Non-operating test profile exceeds the requirements of MIL-PRF-28800F, Class 3.)

Safety Voltages

Maximum Input Voltage

Do not connect signals that are above the following limits. Doing so can result in damage to the module.

AI+ to AI-

TB-4300	60 V max
TB-4300B	300 V max
TB-4300C	30 V max

Isolation Voltages

Channel-to-channel.....	300 V _{rms} , Measurement Category II (Basic)
Channel-to-earth ground.....	300 V _{rms} , Measurement Category II

Measurement Category II is for measurements performed on circuits directly connected to the electrical distribution system. This category refers to local-level electrical distribution, such as that provided by a standard wall outlet, for example, 115 V for U.S. or 230 V for Europe.



Caution Do *not* connect the TB-4300/B/C to signals or use for measurements within Measurement Categories III or IV.



Caution The protection provided by the TB-4300 can be impaired if it is used in a manner not described in this document.

Safety Standards

This product meets the requirements of the following standards of safety for electrical equipment for measurement, control, and laboratory use:

- IEC 61010-1, EN 61010-1
- UL 61010-1, CSA 61010-1



Note For UL and other safety certifications, refer to the product label or the [Online Product Certification](#) section.

Electromagnetic Compatibility

This product meets the requirements of the following EMC standards for electrical equipment for measurement, control, and laboratory use:

- EN 61326-1 (IEC 61326-1): Class A emissions; Basic immunity
- EN 55011 (CISPR 11): Group 1, Class A emissions
- AS/NZS CISPR 11: Group 1, Class A emissions
- FCC 47 CFR Part 15B: Class A emissions
- ICES-001: Class A emissions



Note For the standards applied to assess the EMC of this product, refer to the [Online Product Certification](#) section.



Note For EMC compliance, operate this product with shielded cables and accessories.

CE Compliance

This product meets the essential requirements of applicable European Directives as follows:

- 2014/35/EU; Low-Voltage Directive (safety)
- 2014/30/EU; Electromagnetic Compatibility Directive (EMC)

Online Product Certification

Refer to the product Declaration of Conformity (DoC) for additional regulatory compliance information. To obtain product certifications and the DoC for this product, visit ni.com/certification, search by model number or product line, and click the appropriate link in the Certification column.

Environmental Management

NI is committed to designing and manufacturing products in an environmentally responsible manner. NI recognizes that eliminating certain hazardous substances from our products is beneficial to the environment and to NI customers.

For additional environmental information, refer to the *Minimize Our Environmental Impact* web page at ni.com/environment. This page contains the environmental regulations and directives with which NI complies, as well as other environmental information not included in this document.

Waste Electrical and Electronic Equipment (WEEE)



EU Customers At the end of the product life cycle, all products *must* be sent to a WEEE recycling center. For more information about WEEE recycling centers, National Instruments WEEE initiatives, and compliance with WEEE Directive 2002/96/EC on Waste and Electronic Equipment, visit ni.com/environment/weee.

电子信息产品污染控制管理办法（中国 RoHS）



中国客户 National Instruments 符合中国电子信息产品中限制使用某些有害物质指令 (RoHS)。关于 National Instruments 中国 RoHS 合规性信息，请登录 ni.com/environment/rohs_china。(For information about China RoHS compliance, go to ni.com/environment/rohs_china.)

Worldwide Support and Services

The NI website is your complete resource for technical support. At ni.com/support you have access to everything from troubleshooting and application development self-help resources to email and phone assistance from NI Application Engineers.

Visit ni.com/services for NI Factory Installation Services, repairs, extended warranty, and other services.

Visit ni.com/register to register your NI product. Product registration facilitates technical support and ensures that you receive important information updates from NI.

A Declaration of Conformity (DoC) is our claim of compliance with the Council of the European Communities using the manufacturer's declaration of conformity. This system affords the user protection for electromagnetic compatibility (EMC) and product safety. You can obtain the DoC for your product by visiting ni.com/certification. If your product supports calibration, you can obtain the calibration certificate for your product at ni.com/calibration.

NI corporate headquarters is located at 11500 North Mopac Expressway, Austin, Texas, 78759-3504. NI also has offices located around the world. For telephone support in the United States, create your service request at ni.com/support or dial 1 866 ASK MYNI (275 6964). For telephone support outside the United States, visit the Worldwide Offices section of ni.com/niglobal to access the branch office websites, which provide up-to-date contact information, support phone numbers, email addresses, and current events.

Refer to the *NI Trademarks and Logo Guidelines* at ni.com/trademarks for more information on National Instruments trademarks. Other product and company names mentioned herein are trademarks or trade names of their respective companies. For patents covering National Instruments products/technology, refer to the appropriate location: **Help»Patents** in your software, the `patents.txt` file on your media, or the *National Instruments Patents Notice* at ni.com/patents. You can find information about end-user license agreements (EULAs) and third-party legal notices in the readme file for your NI product. Refer to the *Export Compliance Information* at ni.com/legal/export-compliance for the National Instruments global trade compliance policy and how to obtain relevant HTS codes, ECCNs, and other import/export data. NI MAKES NO EXPRESS OR IMPLIED WARRANTIES AS TO THE ACCURACY OF THE INFORMATION CONTAINED HEREIN AND SHALL NOT BE LIABLE FOR ANY ERRORS. U.S. Government Customers: The data contained in this manual was developed at private expense and is subject to the applicable limited rights and restricted data rights as set forth in FAR 52.227-14, DFAR 252.227-7014, and DFAR 252.227-7015.

© 2010–2016 National Instruments. All rights reserved.