

## P/N: T300385

### Copyright

© 2023, FLIR Systems, Inc.

All rights reserved worldwide. Names and marks appearing herein are either registered trademarks or trademarks of FLIR Systems and/or its subsidiaries. All other trademarks, trade names or company names referenced herein are used for identification only and are the property of their respective owners.

### Document identity

Publ. No.: T300385

Commit: 92701

Language:

Modified: 2023-07-05

Formatted: 2023-07-05

### Website

<http://www.flir.com>

### Customer support

<http://support.flir.com>

### Disclaimer

Specifications subject to change without further notice. Camera models and accessories subject to regional market considerations. License procedures may apply. Products described herein may be subject to US Export Regulations. Please refer to [exportquestions@flir.com](mailto:exportquestions@flir.com) with any questions.



Specifications	
Spectral band	3–5 microns
Focal length	27–40 mm (reimaging)
f /number	2.5
Average transmission	> 85%
Focus type	Manual
Distortion	< 2%
Focus range	~110 mm to ~600 mm
Hyperfocal distance	N/A
Operating temperature	-20 to +50°C
Storage temperature	-40 to +70°C
Length (outside of camera)	114.6–130.5 mm (4.51–5.14 in)
Diameter	76.5 mm (3.01 in)
Weight	0.895 kg (1.97 lb)



Mess- und Prüftechnik. Die Experten.

**Ihr Ansprechpartner /  
Your Partner:**

**dataTec AG**

E-Mail: [info@datatec.eu](mailto:info@datatec.eu)

>>> [www.datatec.eu](http://www.datatec.eu)



### Compatible with the following products:

- 29440-200; FLIR A6700 (f/2.5, 1-5 $\mu\text{m}$ , 60Hz)
- 29440-201; FLIR A6701 (f/2.5, 3-5 $\mu\text{m}$ , 60Hz)
- 29440-202; FLIR A6702 (f/4.0, 1-5 $\mu\text{m}$ , 60Hz)
- 29440-203; FLIR A6703 (f/4.0, 3-5 $\mu\text{m}$ , 60Hz)
- 29440-205; FLIR A6705 (Automation rear panel, 60Hz)
- 29440-250; FLIR A6750 (f/2.5, 1-5 $\mu\text{m}$ , 125Hz)
- 29440-251; FLIR A6751 (f/2.5, 3-5 $\mu\text{m}$ , 125Hz)
- 29440-252; FLIR A6752 (f/4.0, 1-5 $\mu\text{m}$ , 125Hz)
- 29440-253; FLIR A6753 (f/4.0, 3-5 $\mu\text{m}$ , 125Hz)
- 29440-280; FLIR A6780 (f/2.5, 1-5 $\mu\text{m}$ , 125Hz)
- 29440-281; FLIR A6781 (f/2.5, 3-5 $\mu\text{m}$ , 125Hz)
- 29440-282; FLIR A6782 (f/4.0, 1-5 $\mu\text{m}$ , 125Hz)
- 29440-283; FLIR A6783 (f/4.0, 3-5 $\mu\text{m}$ , 125Hz)
- 29443-200; FLIR A8580 (f/2.5, 1.5-5.0  $\mu\text{m}$ )
- 29443-201; FLIR A8581 (f/2.5, 3.0-5.0  $\mu\text{m}$ )
- 29443-202; FLIR A8582 (f/4.0, 1.5-5.0  $\mu\text{m}$ )
- 29443-203; FLIR A8583 (f/4.0, 3.0-5.0  $\mu\text{m}$ )
- 29420-200; FLIR X6800sc
- 29420-201; FLIR X6801sc
- 29420-202; FLIR X6802sc
- 29420-203; FLIR X6803sc
- 29267-280; FLIR X6980 InSb MWIR (f/2.5, 1.5–5.0  $\mu\text{m}$ )



## Lens 3–5 $\mu\text{m}$ Macro f/2.5 MW FPO Manual Bayonet

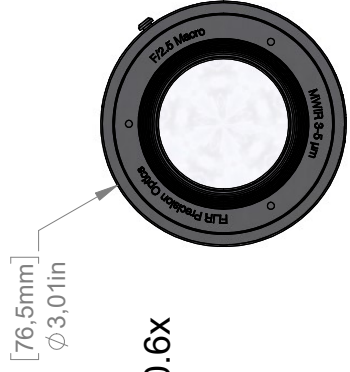
---

**P/N: T300385**

© 2023, FLIR Systems, Inc.

#T300385; r. 92701;

- 29267-281; FLIR X6981 InSb MWIR (f/2.5, 3.0–5.0  $\mu\text{m}$ )
- 29267-282; FLIR X6982 InSb MWIR (f/4.1, 1.5–5.0  $\mu\text{m}$ )
- 29267-283; FLIR X6983 InSb MWIR (f/4.1, 3.0–5.0  $\mu\text{m}$ )
- 29422-280; FLIR X8580 InSb MWIR (f/2.5, 1.5–5.0  $\mu\text{m}$ )
- 29422-281; FLIR X8581 InSb MWIR (f/2.5, 3.0–5.0  $\mu\text{m}$ )
- 29422-282; FLIR X8582 InSb MWIR (f/4.1, 1.5–5.0  $\mu\text{m}$ )
- 29422-283; FLIR X8583 InSb MWIR (f/4.1, 3.0–5.0  $\mu\text{m}$ )



Lens 3-5 µm F/2.5 Macro 0.1x-0.6x  
P/N: T300277  
Lens part of T300385.

WEIGHT - [915g]  
32.3oz

